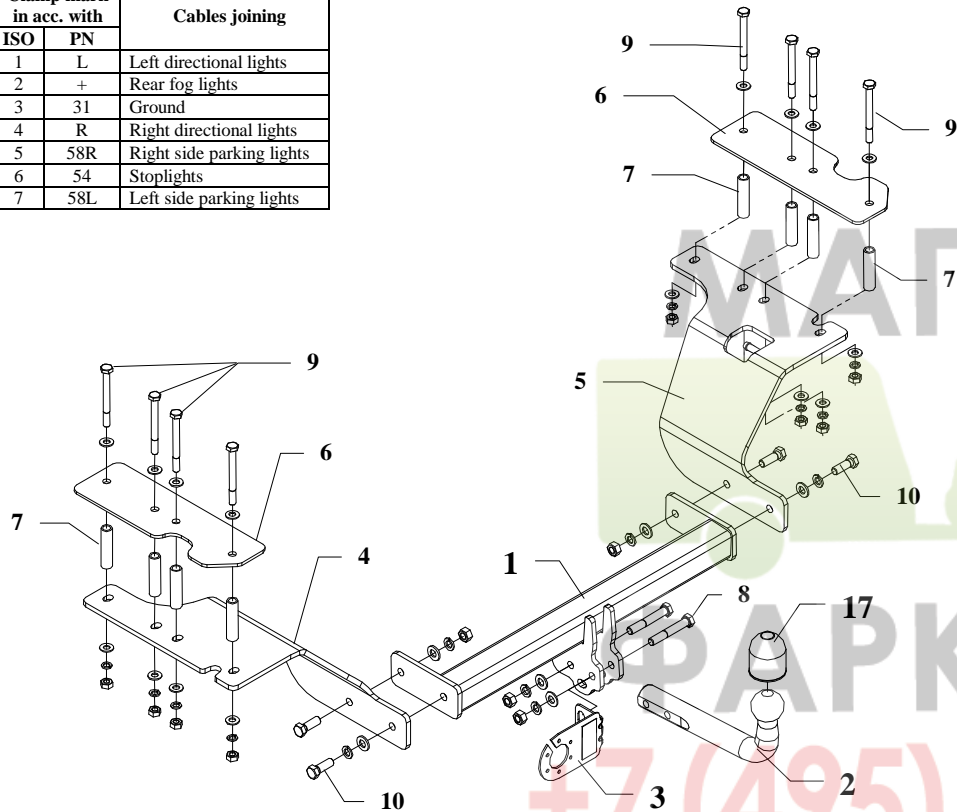


FITTING INSTRUCTION

Clamp mark in acc. with		Cables joining
ISO	PN	
1	L	Left directional lights
2	+	Rear fog lights
3	31	Ground
4	R	Right directional lights
5	58R	Right side parking lights
6	54	Stoplights
7	58L	Left side parking lights



This towbar is designed to assembly in following cars: **HONDA CR-V** produced since 03.2002 till 12.2006, catalogue no. **Y24** and is prepared to tow trailers max total weight **1500 kg** and max vertical load **60 kg**.

From manufacturer

Thank you for buying our product. Their reliability has been confirmed in many tests. Reliability of towbar depends also on correct assembly and right operation. For this reasons we kindly ask to read carefully this instruction and apply to hints.

The towbar should be install in points described by a car producer.

The instruction of the assembly

1. Take the fitted carpet out the bumper, disassemble plastic bowl and unscrew side plastic panels.
2. Disassemble the muffler.
3. Find 4 signed places on the left and right side of the chassis member, then drill them using a drill $\varnothing 10,5$ mm.
4. Find 4 signed places in the luggage part, then drill them using $\varnothing 17,5$ mm and next position distance sleeves $\varnothing 17$ mm L=69 mm (pos. 7).
5. Position fish-plates (pos. 6) in the trunk – see the drawing.
6. Position the right bracket (pos. 5) at the bottom of the car on the right holes of the chassis member and fix it using bolts M10x100mm pos. 9 (bolts put from trunk side!), do it the same positioning the left bracket (pos. 4) on the left chassis member.
7. Slide the bar (pos. 1) between the supports (pos. 4 and 5) and fix it using bolts M12x35mm (pos. 10).
8. Position the ball of towbar (pos. 2) with socket plate (pos. 3) and fix it using bolts M12x75mm (pos. 8) from the towbar accessories.
9. Tighten all nuts and bolts according to the torque shown in the table.
10. Reassemble the muffler (Attention!!! Left handle is welded to the support pos. 5).
11. Connect the electric wires according to the instructions of the car.
12. Complete the paint cover of towbar (during the mounting paint cover could be destroyed).

Torque settings for nuts and bolts (8,8):

M6 - 11 Nm	M8 - 25 Nm	M10 - 50 Nm
M12 - 87 Nm	M14 - 138 Nm	M16 - 210 Nm

NOTE

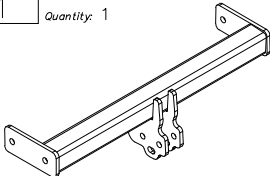
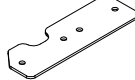

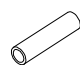

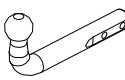
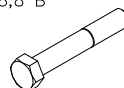

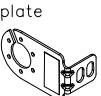
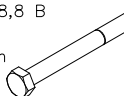


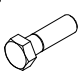




After mounting the towbar you should sign the car card at the Authorised Car Station.

The car should be equipment with:

- Indicators
- Tow mirrors

After **1000 km** of exploitation check all bolts and nuts. The ball of towbar has to be kept clear and conserve with a grease.

Towbar accessories:

Pos. 1 Name: Main bar Quantity: 1 	Pos. 6 Name: Plate of the bracket Quantity: 2 	Pos. 12 Name: Nut 8 B Quantity: 8 Dim.: M10 
	Pos. 7 Name: Distance sleeve Quantity: 8 Dim.: $\phi 17,2 \times 2,35 \text{mm}$ L=69mm 	Pos. 13 Name: Plain washer Quantity: 6 Dim.: $\phi 13 \text{ mm}$ 
Pos. 2 Name: Tow ball Quantity: 1 	Pos. 8 Name: Bolt 8,8 B Quantity: 2 Dim.: M12x75mm 	Pos. 14 Name: Plain washer Quantity: 16 Dim.: $\phi 10,5 \text{ mm}$ 
Pos. 3 Name: Socket plate Quantity: 1 	Pos. 9 Name: Bolt 8,8 B Quantity: 8 Dim.: M10x100mm 	Pos. 15 Name: Spring washer Quantity: 6 Dim.: $\phi 12,2 \text{ mm}$ 
Pos. 4 Name: Left bracket Quantity: 1 	Pos. 10 Name: Bolt 8,8 B Quantity: 4 Dim.: M12x35mm 	Pos. 16 Name: Spring washer Quantity: 8 Dim.: $\phi 10,2 \text{ mm}$ 
Pos. 5 Name: Right bracket Quantity: 1 	Pos. 11 Name: Nut 8 B Quantity: 4 Dim.: M12 	Pos. 17 Name: Ball cover Quantity: 1 



PPUH AUTO-HAK S. J.

Produkcja Zaczepów Kulowych
Henryk & Zbigniew Nejman
76-200 SŁUPSK ul. Słoneczna 16K
tel/fax (059) 8-414-414; 8-414-413
E-mail: office@autohak.com.pl
www.autohak.com.pl

Towing hitch (without electrical set)

Class: **A50-X** Cat. no. **Y24**

Designed for:

Manufacturer: **HONDA**

Model: **CR-V**

Produced since 03.2002 till 12.2006

Technical data:

D-value: 8,33 kN

maximum trailer weight: **1500 kg**

maximum vertical cup load: **60 kg**

Approval number acc. to regulations EKG/ONZ 55.01: **E20-55R-01 0859**

Foreword

This towing hitch is designed according to rules of safety traffic regulations. The towing hitch is a safety component and can be installed only by qualified personnel. Any alteration or conversion of the towing hitch is prohibited and would lead to cancellation of design certification. Remove insulating compound and underseal from vehicle (if present) in the areas of the mating surfaces of the towing hitch. The vehicle manufacturer's specifications regarding trailer load and max. vertical cup mass are decisive for driving whereat values for the towing hitch cannot be exceeded.

D-value formula:

$$\frac{\text{Max trailer weight [kg]} \times \text{Max vehicle weight [kg]}}{\text{Max trailer weight [kg]} + \text{Max vehicle weight [kg]}} \times \frac{9,81}{1000} = D \text{ [kN]}$$